

SYSTEM LAB SETTLING TANK

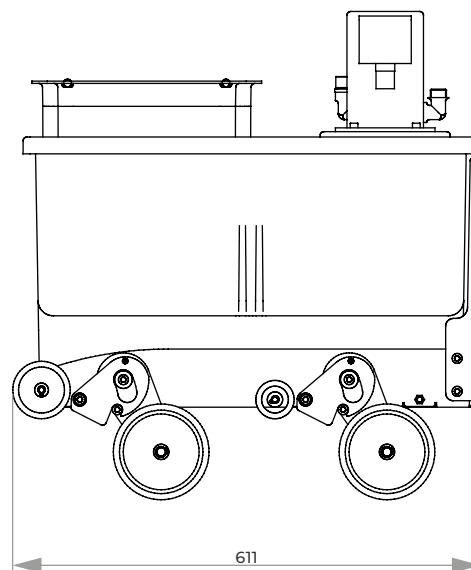
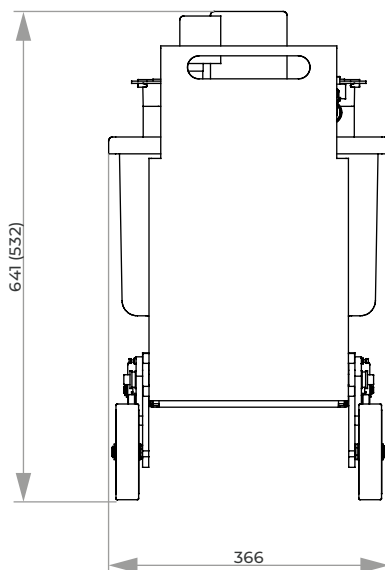


Settling tank with insertion mechanism for System lab cabinets of height 800 or 900 mm

SYSTEM INTEGRATION

The insertion mechanism retracts the wheels mechanically when sliding in and out the Lab system cabinet, so that the sedimentation tank or the recirculation cooling does not need to be lifted, especially when filled.

The tank with its connections disappears completely in the system cabinet. The System settling tank without insertion mechanism is mobile as well.





CENTRAL PRESSURE

LEVELLING PLATE

sample holder	sample protruding	
Ø 130 mm	2 mm	Order No.: 05400356
Ø 130 mm	4 mm	Order No.: 05400372
Ø 160 mm	2 mm	Order No.: 05400114
Ø 160 mm	4 mm	Order No.: 05400246
Ø 185 mm	2 mm	Order No.: 05400188
Ø 185 mm	4 mm	Order No.: 05400260
Ø 204 mm	2 mm	Order No.: 05400194
Ø 204 mm	4 mm	Order No.: 05440021

LEVELLING DEVICE WITH UNLOADING AID

The pneumatic fixation enables levelling of sample holders for central pressure quickly and effortlessly. The sample distance is adjustable and universally suitable for all standard sample diameters. The unloading aid provides gentle unloading of the prepared samples.



CENTRAL PRESSURE

LEVELLING DEVICE WITH UNLOADING AID

I aid for plane-parallel sample fixation

Sample holder	Ø 160, 185, 204 mm
Sample distance	variable, 1-6 mm
Compressed air required	6 bar

Order No.: M1320002

ACCESSORIES

CONNECTION SET

1 pressure tube 3 m, with coupling and connection thread R 3/8"

Order No.: Z1320000

ACCESSORIES FOR QPOL- AND SAPHIR DEVICES

WORKING WHEELS, CLAMPING RINGS, CARRIER WHEELS, SPLASH RINGS


ACCESSORIES Qpol
WORKING WHEELS Qpol

- | innovative mounting system for working wheel
- | for use without carrier plate

	Order No.:
Ø 200 mm	Z5631001
Ø 250 mm	Z5631002
Ø 300 mm	Z5631007

ACCESSORIES SAPHIR
WORKING WHEELS SAPHIR

- | aluminium anodized

	Order No.:
Ø 200 mm	Z5610034
Ø 230 mm	Z5610030
Ø 250 mm	Z5610031
Ø 300 mm	Z5610032


CLAMPING RINGS Qpol

- | plastic

	Order No.:
Ø 200 mm	Z5631003
Ø 250 mm	Z5631004
Ø 300 mm	Z5631009

CLAMPING RINGS SAPHIR

- | plastic

	Order No.:
Ø 200 mm	05610228
Ø 230 mm	05610227
Ø 250 mm	05610226
Ø 300 mm	05610225


CARRIER WHEELS SAPHIR

- | for other brands on request

Durchmesser	Order No.:
Ø 200 mm	05610037
Ø 230 mm	05610058
Ø 250 mm	05610057
Ø 300 mm	05610059


SPLASH RINGS Qpol

- | plastic

	Order No.:
for Qpol 200:	
Ø 200 mm	05632023
for Qpol 250:	
Ø 200 mm	Z5631020
Ø 250 mm	Z5631021
for Qpol 300:	
Ø 250 mm	Z5631022
Ø 300 mm	Z5631023
for Qpol XL:	
Ø 300 mm	Z5700024
Ø 350 mm	Z5700023

SAMPLE HOLDERS

WHICH SAMPLE HOLDER FITS WHICH DEVICE?		
DEVICE	SINGLE PRESSURE	CENTRAL PRESSURE
Saphir 550 / 560	see page 3.62	Sample holder L
Qpol GO	Sample holder S	-
Qpol ECO (as of 2022, 6x Ø 40 mm)	Sample holder M	Sample holder M
Qpol ECO+ (max. Ø 185 mm)	Sample holder L	Sample holder L
Qpol XL	-	Sample holder L
Qgrind XL	-	Sample holder L
Qpol 250 BOT (max. Ø 160 mm)	-	Sample holder L
Qpol 300 BOT	-	on request
DISCONTINUED DEVICE	SINGLE PRESSURE	CENTRAL PRESSURE
Saphir 520 / 530	on request	Sample holder M
Saphir 375	-	Sample holder L
Qpol ECO (until 2021, 5x Ø 40 mm)	on request	Sample holder M



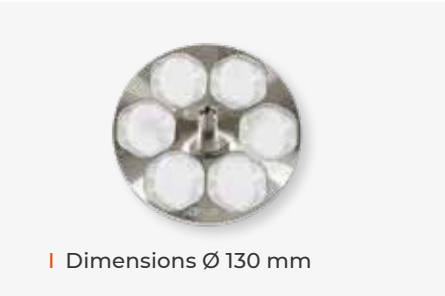
SINGLE PRESSURE (FOR QPOL DEVICES)

- | made of stainless steel
- | incl. adaption

SAMPLE HOLDER S
for polishing head GO


| Dimensions Ø 120 mm

Size	Order No.:
4x Ø 25 mm	Z5450001
4x Ø 30 mm	Z5450003
4x Ø 40 mm	Z5450008
4x Ø 1"	Z5450002
4x Ø 1 1/4"	Z5450004
4x Ø 1 1/2"	Z5450007

SAMPLE HOLDER M
for polishing head ECO


| Dimensions Ø 130 mm

Size	Order No.:
6x Ø 25 mm	Z5445020
6x Ø 30 mm	Z5445022
6x Ø 40 mm	Z5445025
6x Ø 1"	Z5445021
6x Ø 1 1/4"	Z5445023
6x Ø 1 1/2"	Z5445024
3x 55 x 30 mm	Z5445026

SAMPLE HOLDER L
for polishing head ECO+


| Dimensions Ø 160 mm

Size	Order No.:
6x Ø 25 mm	Z5446020
6x Ø 30 mm	Z5446022
6x Ø 40 mm	Z5446025
6x Ø 50 mm	Z5446026
6x Ø 1"	Z5446021
6x Ø 1 1/4"	Z5446023
6x Ø 1 1/2"	Z5446024
6x Ø 2"	Z5446027
3x 55 x 30 mm	Z5446028
3x 60 x 40 mm	Z5446029



Insert suitable distance rings

ACCESSORIES

- | made of stainless steel

DISTANCE RINGS M
for polishing head ECO

1 set	6 pcs. / Ø
for sample holder 6x Ø 40 mm	
Size	Order No.:
Ø 25 mm	05445011
Ø 30 mm	05445010
for sample holder 6x Ø 1 1/2"	
Ø 1"	05445013
Ø 1 1/4"	05445012

DISTANCE RINGS L
for polishing head ECO+

1 set	6 pcs. / Ø
for sample holder 6x Ø 50 mm	
Size	Order No.:
Ø 25 mm	05446012
Ø 30 mm	05446011
Ø 40 mm	05446010
for sample holder 6x Ø 2"	
Ø 1"	05446015
Ø 1 1/4"	05446014
Ø 1 1/2"	05446013

SINGLE PRESSURE (FOR SAPHIR 550/560)

- | incl. adaption

SAMPLE HOLDER


| Dimensions Ø 160 mm

Size	Order No.:
6x Ø 50 mm	Z5400087

DISTANCE RINGS

1 set	6 pcs. / Ø
Size	Order No.:
Ø 25 mm	05400086
Ø 30 mm	05400085
Ø 32 mm	05400084
Ø 40 mm	05400082

1 set	6 pcs. / Ø
Size	Order No.:
Ø 1"	05440138
Ø 1 1/4"	05440139
Ø 1 1/2"	05400083



Central pressure requires levelled samples

CENTRAL PRESSURE

SAMPLE HOLDER M (TEAR SHAPE)
for polishing head ECO



| made of stainless steel

Samples 5x Ø 20-40 mm
Dimensions Ø 130 mm

Order No.: Z5445036

SAMPLE HOLDER L (TEAR SHAPE)

for polishing head ECO+,
Qpol 250 BOT, Qpol XL,
Saphir 550/560



| incl. adaption

Samples 6x Ø 20-40 mm
Dimensions Ø 160 mm

Order No.: Z5446038

CENTRAL PRESSURE

SAMPLE HOLDER M (3-POINT-FIXATION)
for polishing head ECO



| especially suitable for hot mounted samples
| made of stainless steel

Size	Order No.:	Dimensions
8x Ø 25 mm	Z5445030	Ø 130 mm
8x Ø 30 mm	Z5445031	Ø 130 mm
5x Ø 40 mm	Z5445034	Ø 130 mm
8 x Ø 1"	Z5445030	Ø 130 mm
8 x Ø 1 1/4"	Z5445032	Ø 130 mm
6 x Ø 1 1/2"	Z5445033	Ø 130 mm
3x 55 x 30 mm	Z5445035	Ø 130 mm

SAMPLE HOLDER L (3-POINT-FIXATION)
for polishing head ECO+,
Qpol 250 BOT, Qpol XL, Saphir 550/560



| incl. adaption

Size	Order No.:	Dimensions
12 x Ø 25 mm	Z5446030	Ø 160 mm
8 x Ø 30 mm	Z5446031	Ø 160 mm
6 x Ø 40 mm	Z5446034	Ø 160 mm
5 x Ø 50 mm	Z5446035	Ø 160 mm
3 x Ø 60 mm	Z5446042	Ø 185 mm
5 x Ø 70 mm	Z5446044	Ø 204 mm
12 x Ø 1"	Z5446030	Ø 160 mm
8 x Ø 1 1/4"	Z5446032	Ø 160 mm
6 x Ø 1 1/2"	Z5446033	Ø 160 mm
5 x Ø 2"	Z5446035	Ø 160 mm
3x 55 x 30 mm	Z5446036	Ø 160 mm
3x 60 x 40 mm	Z5446037	Ø 160 mm
3x 70 x 40 mm	Z5446043	Ø 185 mm
3x 100 x 50 mm	Z5446045	Ø 204 mm

VARIO-SAMPLE HOLDER



- | fixing, grinding and polishing of samples with big dimensions or complicated geometries
- | made of anodized aluminium
- | incl. adaption

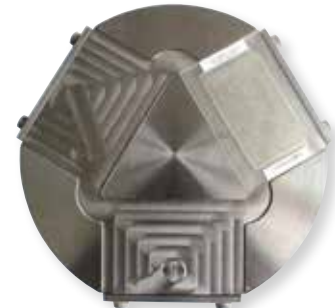
suitable sample holder on request



Examples for application



SPECIAL SAMPLE HOLDERS



The problem of clamping samples with special dimensions can be solved with special sample holders.

